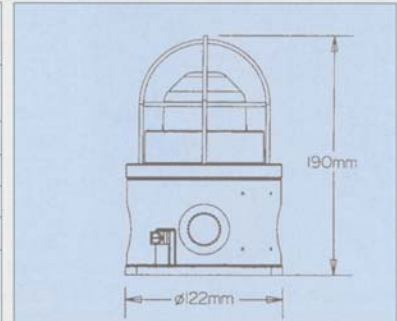


SM87 HXB/XB3

5 Joule Flashing Xenon – Explosionproof



| | |
|--|--|
| Certification Flameproof | Ⓔ ATEX Ⓜ Ⓜ GOST ATEX Ex II 2G, EExd(e) IIC T6 |
| Certified Ambient Temperature | -55°C to +70°C (EExd) -20°C to +40°C (EExde) |
| Ingress Protection | IP66 & 67 |
| Material | Stainless Steel or Alloy |
| Entries | Up to 4 x 20mm or 25mm |
| Weight | 3.8kg (Steel) or 2kg (Alloy) |
| Options: Body & lens colour, EOL resistor, tel. & relay initiate, certification, lens guard, tag & duty labels, flash rate, terminal chamber (XB3 model), high temp. version (-40°C to +85°C) available, voltages 24-48V d.c., 110-254V a.c. | |



Standard models. Available ex-stock.

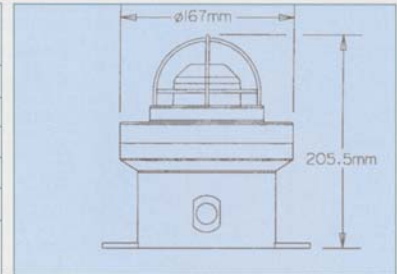
| Certification | Voltage | Lens Colour | Ordering Code | Standard Product Configuration |
|---------------|-----------|-------------|---------------|---|
| ATEX Ex II 2G | 24V d.c. | Red | 813005 | Standard models are in alloy, red body, no tag or duty labels, 2 x M20 entries, 60 flashes per minute. |
| ATEX Ex II 2G | 24V d.c. | Amber | 813006 | |
| ATEX Ex II 2G | 240V a.c. | Red | 813007 | |
| ATEX Ex II 2G | 240V a.c. | Amber | 813008 | |

XB11

5 Joule Flashing Xenon – Explosionproof



| | |
|---|---|
| Certification Flameproof | Ⓔ ATEX Ⓜ Ⓜ GOST ATEX Ex II 2GD, EExd IIB T4, T5 & T6 |
| Certified Ambient Temperature | -55°C to +70°C |
| Ingress Protection | IP66 & 67 |
| Material | Corrosion-free GRP |
| Entries | 2 x 20mm |
| Weight | 2.5kg |
| Options: Body & lens colour, mounting, tel. initiate, certification, lens guard, flash rate, earth continuity, voltages 24V d.c., 110V a.c., 240 V a.c. | |

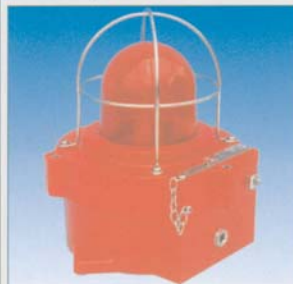


Standard models. Available ex-stock.

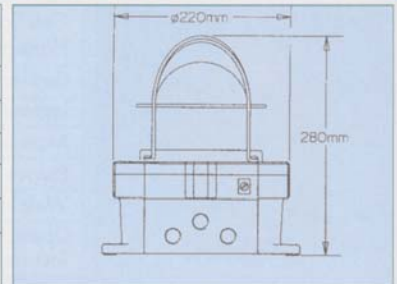
| Certification | Voltage | Lens Colour | Ordering Code | Standard Product Configuration |
|----------------|-----------|-------------|---------------|---|
| ATEX Ex II 2GD | 24V d.c. | Red | 811101 | Standard models are in GRP, natural black body, no tag or duty labels, 2 x M20 entries, 60 flashes per minute. |
| ATEX Ex II 2GD | 24V d.c. | Amber | 811102 | |
| ATEX Ex II 2GD | 240V a.c. | Red | 811103 | |
| ATEX Ex II 2GD | 240V a.c. | Amber | 811104 | |

XB4

21 Joule Flashing Xenon – Explosionproof



| | |
|--|--|
| Certification Flameproof | Ⓔ ATEX Ⓜ Ⓜ GOST SAA ATEX Ex II 2G, EExd(e) IIC T5 |
| Certified Ambient Temperature | -55°C to +70°C |
| Ingress Protection | IP66 & 67 |
| Material | Stainless Steel or Alloy |
| Entries | Up to 4 x 20mm or 25mm |
| Weight | 15-16kg (Steel), 6.6-7.4kg (Alloy) |
| Options: Body & lens colour, lens guard, tag & duty labels, terminals, terminal chamber, initiation options, flash rate, voltages 24-48V d.c., 110-254V a.c. | |



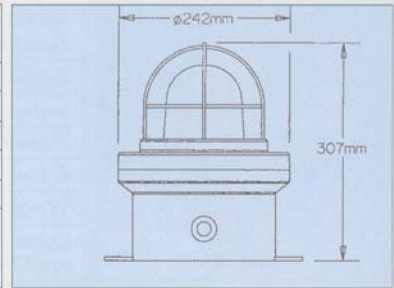
Standard models. Available ex-stock.

| Certification | Voltage | Lens Colour | Ordering Code | Standard Product Configuration |
|---------------|-----------|-------------|---------------|---|
| ATEX Ex II 2G | 24V d.c. | Red | 814001 | Standard model are red painted, alloy, no lens guard, 2 x M20 entries. |
| ATEX Ex II 2G | 240V a.c. | Red | 814002 | |

XB12
21 Joule Flashing Xenon – Explosionproof


| | |
|-------------------------------|--|
| Certification Flameproof | Ⓔ ATEX Ⓛ GOST ATEX Ex II 2G, EExd IIB T4/T5 |
| Certified Ambient Temperature | -55°C to +70°C |
| Ingress Protection | IP66 & 67 |
| Material | Corrosion-free GRP |
| Entries | 2 x 20mm |
| Weight | 7.0kg |

Options: Body & lens colour, lens guard, tag & duty labels, telephone initiation, flash rate, mounting method, earth continuity, voltages 24V d.c., 110-240V a.c.

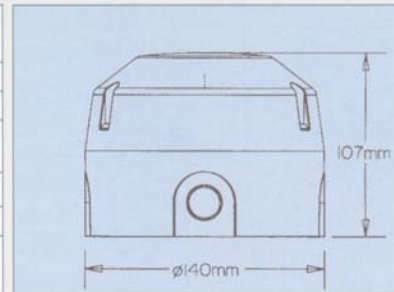

Standard models. Available ex-stock.

| Certification | Voltage | Lens Colour | Ordering Code | Standard Product Configuration |
|----------------|-----------|-------------|---------------|--|
| ATEX EX II 2GD | 24V d.c. | Red | 812101 | Standard models are in natural black GRP, no lens guard, 2 x 20mm entries, 60 flashes per minute. |
| ATEX EX II 2GD | 24V d.c. | Amber | 812102 | |
| ATEX EX II 2GD | 240V a.c. | Red | 812103 | |
| ATEX EX II 2GD | 240V a.c. | Amber | 812104 | |

XB8
0.5 Joule Flashing Xenon – Explosionproof


| | |
|-------------------------------------|--|
| Certification Intrinsically Safe | Ⓔ ATEX GOST ATEX Ex II 1G, EExia IIB/IIC T4 |
| Certified Ambient Temperature | -55°C to +60°C |
| Ingress Protection | IP66 & 67 |
| Material | Corrosion-free GRP body Polycarbonate lens |
| Entries | Up to 3 x 20mm via knockouts |
| Weight | 1.4kg |

Options: Body & lens colour, certification, tag & duty labels, voltages 12-24V d.c.

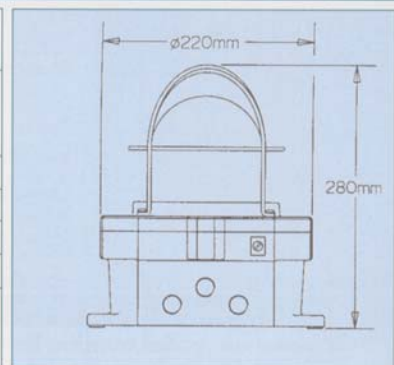

Standard models. Available ex-stock.

| Certification | Voltage | Lens Colour | Ordering Code | Standard Product Configuration |
|---------------|----------|-------------|---------------|--|
| ATEX Ex II 1G | 12V d.c. | Clear | 818001 | Standard models have natural red body colour, no tag or duty labels, 60 flashes per minute. |
| ATEX Ex II 1G | 24V d.c. | Clear | 818002 | |

FB4 & FL4
100 Watt Steady Filament & 39 Watt Fluorescent
Explosionproof

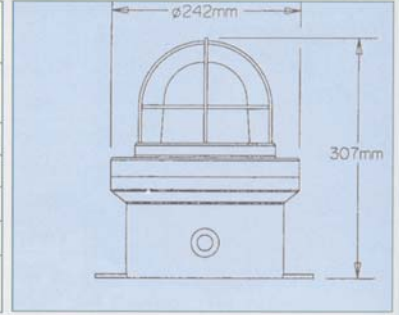

| | |
|-------------------------------|---|
| Certification Flameproof | Ⓔ ATEX Ⓛ GOST ATEX Ex II 2G, EExd(e) IIC T3/T6 |
| Certified Ambient Temperature | -55°C to +55°C (FB4 EExd) -50°C to +55°C (FB4 EExde) -20°C to +55°C (FL4) |
| Ingress Protection | IP66 & 67 |
| Material | Stainless Steel or Alloy |
| Entries | Up to 4 x 20mm or 25mm |
| Weight | 14.9-17.3kg (Steel), 6.5-8.9kg (Alloy) |

Options: Body & lens colour, lens guard, tag & duty labels, lamp wattage, relay initiate, terminals, terminal chamber, voltages 24-48V d.c., 110-240V a.c.

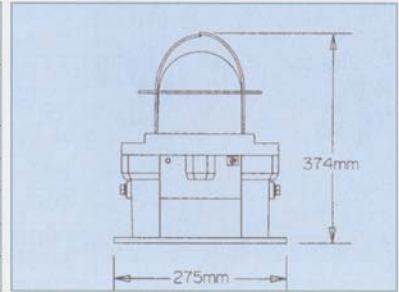


FB12 & FL12
100 Watt Steady Filament & 39 Watt Fluorescent
Explosionproof

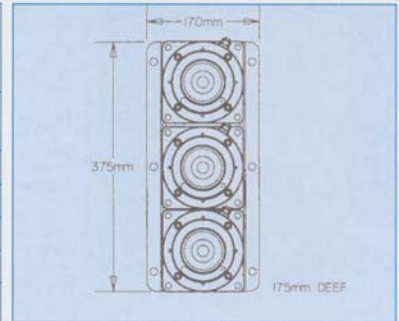

| | |
|---|---|
| Certification Flameproof | Ⓔ ATEX Ⓛ _{ms} ATEX Ex II 2G, EExd IIB T4/T5 |
| Certified Ambient Temperature | -55°C to +55°C (FB12) -20°C to +55°C (FL12) |
| Ingress Protection | IP66 & 67 |
| Material | Corrosion-free GRP |
| Entries | 2 x 20mm |
| Weight | 7.2 - 7.6kg |
| Options: Body & lens colour, lens guard, tag & duty labels, lamp wattage, unit fixing, earth continuity, mounting method, voltages 24-48V d.c., 110-254V a.c. | |


FB5 & FL5
200 Watt Steady Filament & 52 Watt Steady Fluorescent
Explosionproof


| | |
|---|--|
| Certification Flameproof | Ⓔ ATEX ATEX Ex II 2G, EExd(e) IIB T3/T4 |
| Certified Ambient Temperature | -20°C to +30°C (FB5) -20°C to +50°C (FL5) |
| Ingress Protection | IP66, 67 & 68 |
| Material | Stainless Steel or Alloy |
| Entries | Up to 4 x 20mm or 25mm |
| Weight | 11.6 - 14.3kg |
| Options: Body colour, lens guard, mounting method, voltages 220-254V a.c. | |


SM87SL
Xenon, Filament, Fluorescent & LED Status Lamps – Explosionproof


| | |
|--|--|
| Certification Flameproof | Ⓔ ATEX Ⓛ _{ms} Ⓛ _{ms} Ⓛ _{ms} GOST ATEX Ex II 2G, EExd IIC T4 (LED/Fil) ATEX Ex II 2G, EExd IIC T6 (Xe/Fil) |
| Certified Ambient Temperature | -20°C to +55°C (LED/Fil) -55°C to +55°C (Xe/Fil) |
| Ingress Protection | IP66 & 67 |
| Material | Stainless Steel or Alloy |
| Entries | Up to 3 x 20mm or 25mm |
| No. of Ways | Up to 4 |
| Options: Body & lens colour, certification, tag & duty labels. | |



Believe ons te contacteren voor meer details