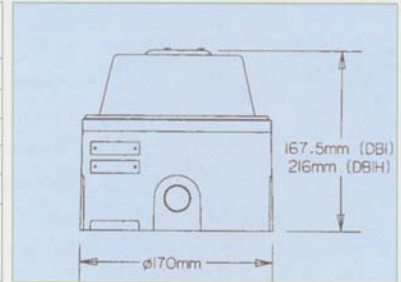


## DB1 113dB(A) Sounder – Explosionproof



Certification	Flameproof	⊕ ATEX ⊕ GOST ATEX Ex II 2G, EExd IIB T3
Certified Ambient Temperature		-20°C to +70°C
Ingress Protection		IP66
Material		Stainless steel or alloy
Entries		Up to 3 x 20mm or 25mm
Weight		3.5-12.7kg (model dependent)
Options: Body colour, tag & duty labels, two stage (DB1P) alarms, high output (DB1H & DB1HP), tel, relay or remote initiate, EOL resistor, certification, voltages 12-48V d.c., 110V a.c., 240V a.c.		



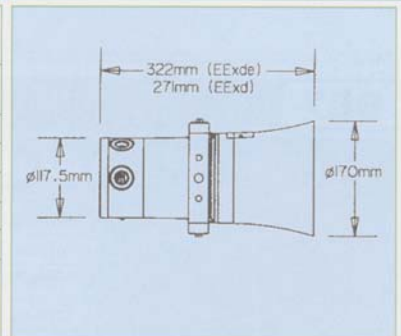
Standard model. Available ex-stock.

Certification	Ordering Code	Standard Product Configuration
ATEX Ex II 2G	801001	<b>Standard model is single stage alarm, red painted alloy, no tag or duty labels, 2 x M20 entries, 24V d.c., 6 tones, 103dBA output.</b>

## DB3 118dB(A) Sounder – Explosionproof & Weatherproof



Certification	Flame-proof	⊕ ATEX ⊕ GOST SAA ATEX Ex II 2GD, EExd(e) IIC T5
Certified Ambient Temperature		-20°C to +70°C (standard) -55°C to +55°C (low temp unit)
Ingress Protection		IP66 & 67
Material		Corrosion-free GRP
Entries		Up to 2 x 20mm
Weight		6.0kg
No. of Tones		27 + 5 programmable
Options: Body colour, tag & duty labels, two stage alarm (DB3P), low temperature version available, EOL resistor, certification, terminal chamber voltages 12-48V d.c., 110V-254V a.c.		



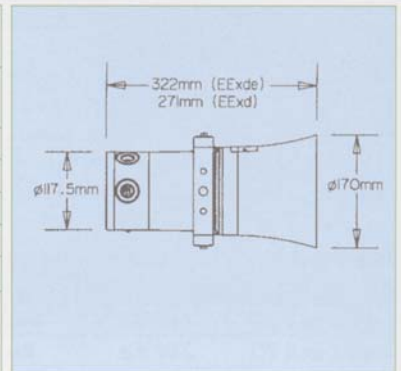
Standard models. Available ex-stock.

Certification	Body Colour	Alarm Type	Voltage	Ordering Code	Standard Product Configuration
ATEX Ex II 2GD	Natural Black	Two Stage	12-48V d.c.	803121	<b>Standard model has 27 tones, no tag or duty labels, 2 x 20mm entries with one certified plug fitted.</b>
ATEX Ex II 2GD	Red	Two Stage	12-48V d.c.	803123	
ATEX Ex II 2GD	Red	Single Stage	12-48V d.c.	803125	
ATEX Ex II 2GD	Natural Black	Single Stage	240V a.c.	803122	
ATEX Ex II 2GD	Red	Single Stage	240V a.c.	803124	


## DB3V 110dB(A) Voice Sounder – Explosionproof




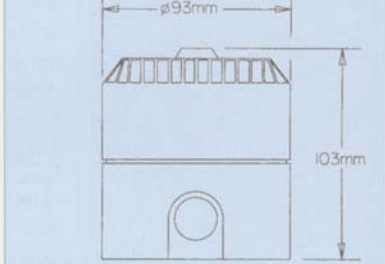
Certification	Flame-proof	⊕ ATEX ⊕ GOST ATEX Ex II 2GD, EExd(e) IIC T5
Certified Ambient Temperature		-20°C to +55°C (standard) -55°C to +55°C (low temp unit)
Ingress Protection		IP66 & 67
Material		Corrosion-free GRP
Entries		Up to 2 x 20mm
Weight		6.0kg
Speech Duration		Up to 20 seconds repeatable
Options: Body colour, tag & duty labels, low temperature version available, EOL resistor, record feature, certification, terminal chamber, 'mechanical bell' sound version, voltages 12-48V d.c., 110V-254V a.c.		



### DB5 103dB(A) Sounder – Explosionproof



Certification	Intrinsically Safe	 ATEX Ex II 1G & Ex I M1, EExia II CT4
Certified Ambient Temperature	-20°C to +55°C	
Ingress Protection	IP65	
Material	Corrosion-free ABS	
Entries	Up to 2 x 20mm via knockouts	
Weight	0.3kg	
No. of Tones	26	
Options: Body colour, tag labels, certification, voltages 12V-24V d.c.		





$\phi 93\text{mm}$   
 $103\text{mm}$

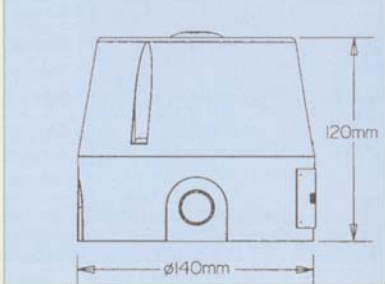
**Standard models. Available ex-stock.**

Certification	Voltage	Ordering Code	Standard Product Configuration
ATEX Ex II 1G	12V d.c.	805001	<b>Standard model has 26 tones, natural red body colour, no tag or duty labels, 3 x 20mm entries via knockouts.</b>
ATEX Ex II 1G	24V d.c.	805002	

### DB7 110dB(A) Sounder – Explosionproof



Certification	Intrinsically Safe	 ATEX Ex II 1G, EExia IIB/IIC T4
Certified Ambient Temperature	-55°C to +70°C	
Ingress Protection	IP66 & 67	
Material	Corrosion-free GRP	
Entries	Up to 3 x 20mm via knockouts	
Weight	1.0kg	
No. of Tones	27	
Options: Certification, body colour, duty & tag labels, voltages 12-24V d.c.		





$120\text{mm}$   
 $\phi 140\text{mm}$

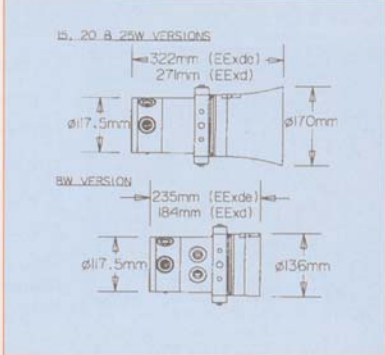
**Standard models. Available ex-stock.**

Certification	Voltage	Ordering Code	Standard Product Configuration
ATEX Ex II 1G	24V d.c.	807006	<b>Standard model is a two stage alarm (DB7P), has 27 tones, natural red body, up to 3 x 20mm entries via knockouts.</b>

### DB4 8 - 25 Watt Speaker – Explosionproof



Certification	Flameproof	 ATEX Ex II 2GD, EExd(e) IIC T4/T5
Certified Ambient Temperature	-20°C to +70°C (standard) -55°C to +70°C (low temp unit)	
Ingress Protection	IP66 & 67	
Material	Corrosion-free GRP	
Output	107 dBA at 1W at 1 metre 119 dBA at 25W at 1 metre	
Entries	Up to 2 x 20mm	
Weight	6kg	
Tappings @ 25 watts	25, 12.5, 6, 4, 2, 1	
Options: Power (8W, 15W, 20W, 25W), body colour, tag & duty labels, BS5839, part 8 compliance, certification, terminal chamber, transformer voltage.		



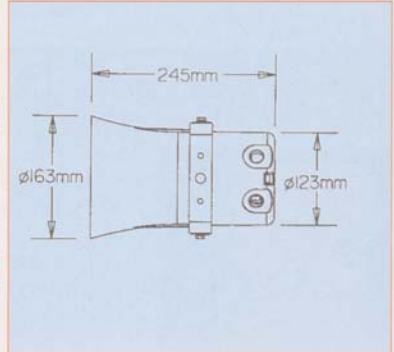
**15, 20, 25W VERSIONS**  
 $322\text{mm}$  (EExd) /  $277\text{mm}$  (EExd)  
 $\phi 17.5\text{mm}$  /  $\phi 170\text{mm}$   
**8W VERSION**  
 $235\text{mm}$  (EExd) /  $184\text{mm}$  (EExd)  
 $\phi 17.5\text{mm}$  /  $\phi 136\text{mm}$

**Standard models. Available ex-stock.**

Certification	Power	Ordering Code	Standard Product Configuration
ATEX EX II 2GD	15 Watts	804215	<b>Standard model has natural black finish, no labels, 2 x 20mm entries, fitted with one certified plug &amp; 100V line transformer.</b>
ATEX EX II 2GD	25 Watts	804225	

**DB18**
**15 Watt Speaker – Explosionproof (Zone 2)**


Compliance	Ⓔ ATEX
Non-sparking (Zone 2)	ATEX Ex II 3GD, EEx nA II T4
Compliant Ambient Temperature	-55°C to +55°C
Ingress Protection	IP66 & 67
Material	Corrosion-free GRP
Output	107 dBA at 1W at 1 metre 117 dBA at 15W at 1 metre
Entries	2 x 20mm
Weight	2.6kg
Tappings @ 15 Watts	15, 7.5, 5, 4, 2, 0.8
Options: Body colour, tag & duty labels, transformer voltage	


**Standard models. Available ex-stock.**

Certification	Ordering Code	Standard Product Configuration
ATEX Ex II 3GD	808401	<b>Standard model has natural black finish, no labels, 2 x 20mm entries, 100V line transformer.</b>

**Beacon/Sounder Combination Units**

Explosionproof &amp; Heavy Duty Industrial &amp; Marine



A range of combination units that can be constructed from MEDC sounders, beacons and other equipment.

For more information, download from [www.medic.com](http://www.medic.com), request data sheet 6DS104 or contact the sales office.



Gelieve ons te contacteren voor meer details